



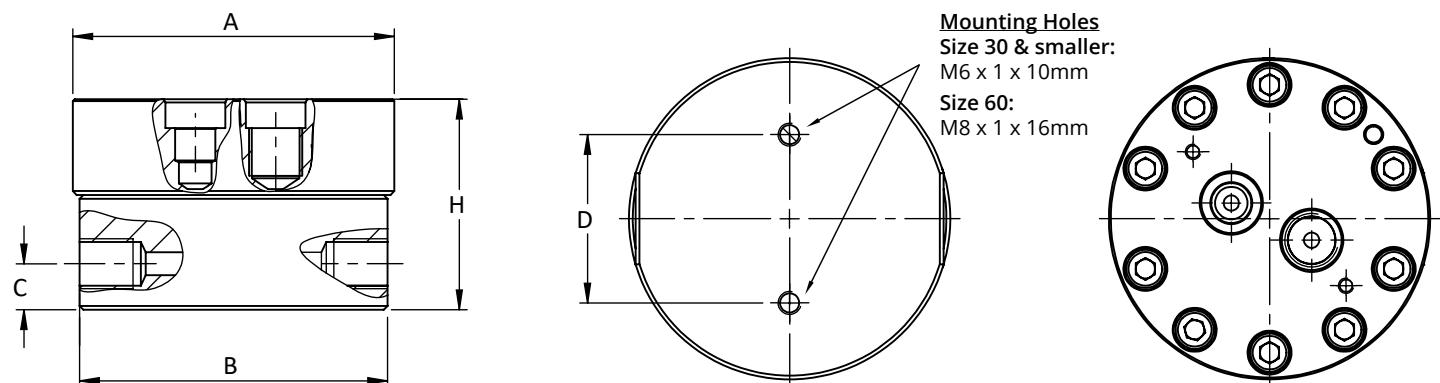
# JV-UF Positive Displacement Gear Flow Meter

## Meter Data

Meter Size	Flow Range			Resolution*		Ports	Filtration (microns)	Pressure (psi/bar)
	(GPM)	(LPM)	(Gal/Day)	(Impulses/Gal)	(Impulses/CC)			
JV#-01UF	.0005-.25	0.002-1.0	0.72-360	302,600	80.0	1/4" NPT	15	5,000/345
JV#-12UF	0.005-0.8	0.02-3.0	7.2-1152	106,000	28.0	1/4" NPT	30	6,000/420
JV#-20UF	0.02-2.0	0.1-7.0	29-2880	31,800	8.4	1/4" NPT	30	6,000/420
JV#-30UF	0.1-7.0	0.5-25.0	144-10,080	13,200	3.5	1/2" NPT	30	6,000/420
JV#-60UF	0.1-20.0	0.5-75.0	144-28,800	3,600	0.95	3/4" NPT	30	6,000/420

# - Complete part # by selecting body material as follows: M=303 Stainless Steel, S=316 Stainless Steel. \* Figures shown represent resolution when using dual pickup sensor.

## Meter Dimensions



Meter Size	Dimensions					Weights (Lbs)		
	A	B	C	D	H	JVS	JVM	JVA
JV#-01UF	3.3"	3.2"	0.47"	1.7"	2.2"	3.6	3.6	1.8
JV#-12UF	3.0"	2.8"	0.47"	1.7"	2.2"	4.9	4.9	2.7
JV#-20UF	3.3"	3.2"	0.47"	1.7"	2.2"	6.4	6.4	2.9
JV#-30UF	3.3"	3.2"	0.51"	1.7"	2.6"	18.8	18.8	9.1
JV#-60UF	4.9"	4.7"	0.75"	2.4"	4.2"	78.0	78.0	32.0

3D STEP Models are available upon request of factory.  
 Products may be subject to change without notice. Contact factory for the most up-to-date product information.

# JV-UF Positive Displacement Gear Flow Meter

## Part Number Guide



JV  -  UF  -   -

**Housing Material**  
 M = 303 Stainless Steel / DIN 1.4305  
 S = 316L Stainless Steel / DIN 1.4404

**Flow Range**  
 01 = 0.0005 to 0.25 GPM  
 12 = 0.005 to 0.8 GPM  
 20 = 0.02 to 2.0 GPM  
 30 = 0.10 to 7.0 GPM  
 60 = 0.10 to 20.0 GPM

**Housing Seal**  
 V = FKM o-ring  
 K = FFKM o-ring  
 T = PTFE o-ring

**Port Type**  
 N = NPT  
 G = BSPP

**Additional Options (choose all that apply)**  
 EX = cCSAus, ATEX, IECEx (includes material cert.)  
 C = CRN (Canadian Registration Number)  
 M = Material Certification  
 N = NACE

**Sensor Hole**  
 S = 2x M14x1.5  
 B = 3/8" NPT (EX meters only)



## Electronics Options

AW-Lake offers a wide selection of Sensors/Pickups and Monitors/Controllers to optimize flow measurement and deliver your flow data where you need it and in the format you need it:

- Analog (Voltage & 4-20mA available)
- Frequency
- Modbus®
- HART®
- Bluetooth®
- Electronic Displays (Local & Remote Mount)
- Certified Units (UL, cCSAus, ATEX, IECEx)
- Wireless Monitoring (Radio Frequency)

Refer to website for more information.



Products may be subject to change without notice.  
 Contact factory for the most up-to-date product information.

