



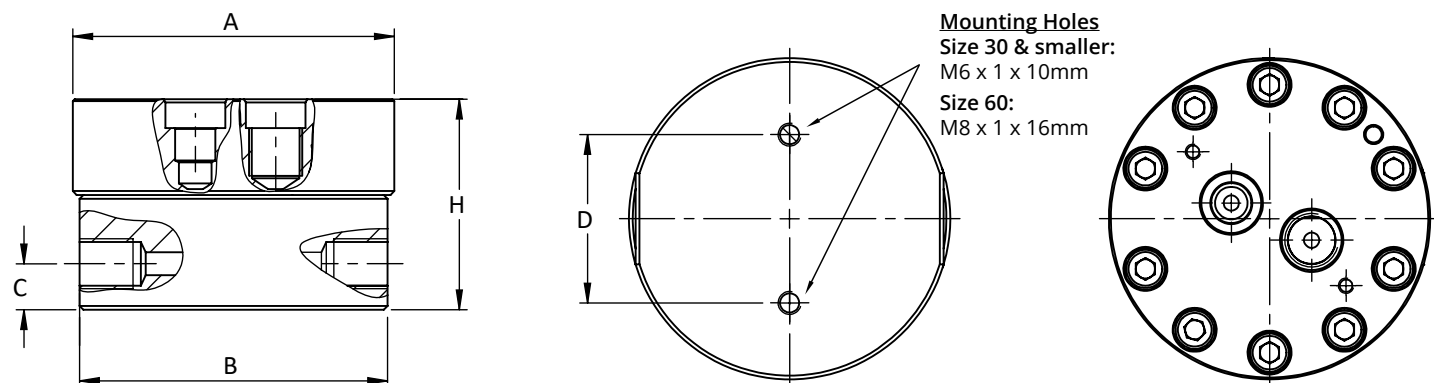
# JV-TC Positive Displacement Gear Flow Meter

## Meter Data

Meter Size	Flow Range			Resolution*		Ports	Filtration (microns)	Pressure (psi/bar)
	(GPM)	(LPM)	(Gal/Day)	(Impulses/Gal)	(Impulses/CC)			
JV#-10TC	0.001-0.5	0.004-1.9	1.4-720	200,600	53.0	1/4" NPT	120	6,000/420
JV#-12TC	0.005-0.8	0.02-3.0	7.2-1152	106,000	28.0	1/4" NPT	120	6,000/420
JV#-20TC	0.02-2.0	0.08-7.6	28.8-2880	31,800	8.4	1/4" NPT	120	6,000/420
JV#-30TC	0.1-7.0	0.38-26.5	144-10,080	13,200	3.5	1/2" NPT	120	6,000/420
JV#-60TC	0.1-20.0	0.38-75.7	144-28,800	3,600	0.95	3/4" NPT	200	6,000/420

# - Complete part # by selecting body material as follows: M=303 Stainless Steel, S=316 Stainless Steel, A= Aluminum. \* Figures shown represent resolution when using dual pickup sensor.

## Meter Dimensions

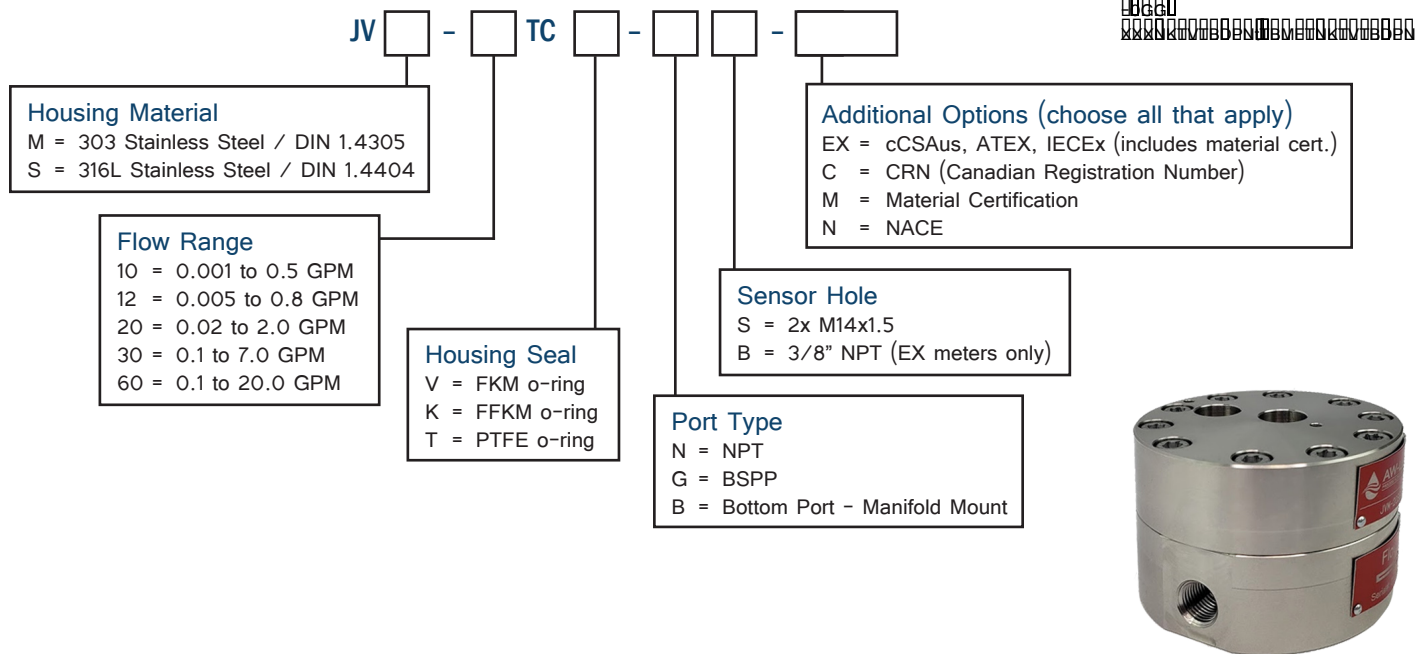


Meter Size	Dimensions					Weights	
	A	B	C	D	H	(Lbs)	(Kg)
JV#-10TC	3.0"	2.9"	0.47"	1.7"	2.2"	2.9	1.3
JV#-12TC	3.0"	2.9"	0.47"	1.7"	2.2"	3.6	1.6
JV#-20TC	3.3"	3.2"	0.47"	1.7"	2.2"	4.9	2.2
JV#-30TC	3.3"	3.2"	0.51"	1.7"	2.7"	6.4	2.9
JV#-60TC	5.0"	4.8"	0.75"	2.4"	4.3"	18.8	8.5

3D STEP Models are available upon request of factory.  
 Products may be subject to change without notice. Contact factory for the most up-to-date product information.

# JV-TC Positive Displacement Gear Flow Meter

## Part Number Guide



## Electronics Options

AW-Lake offers a wide selection of Sensors/Pickups and Monitors/Controllers to optimize flow measurement and deliver your flow data where you need it and in the format you need it:

- Analog (Voltage & 4-20mA available)
- Frequency
- Modbus®
- HART®
- Bluetooth®
- Electronic Displays (Local & Remote Mount)
- Certified Units (UL, cCSAus, ATEX, IECEx)
- Wireless Monitoring (Radio Frequency)

Refer to website for more information.



Products may be subject to change without notice.  
Contact factory for the most up-to-date product information.