

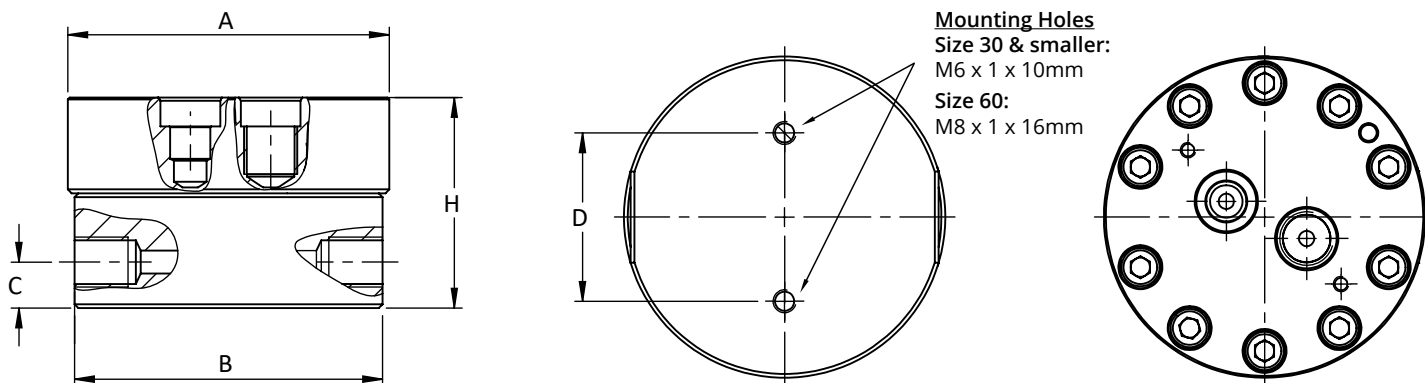
JV-BB Positive Displacement Gear Flow Meter

Meter Data

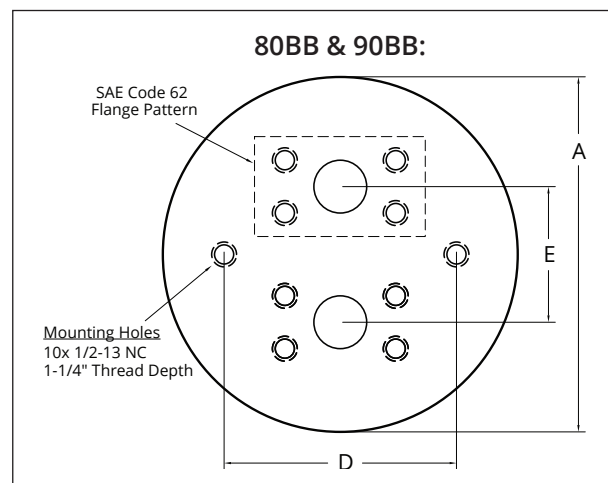
Meter Size	Flow Range			Resolution*		Ports	Filtration (microns)	Pressure (psi/bar)
	(GPM)	(LPM)	(Gal/Day)	(Impulses/Gal)	(Impulses/CC)			
JV#-12BB	0.005-0.8	0.02-3.0	7.2-1152	106,000	28.0	1/4" NPT	30	6,000/420
JV#-20BB	0.02-2.0	0.1-7.6	28.8-2880	31,800	8.4	1/4" NPT	30	6,000/420
JV#-30BB	0.1-7.0	0.5-26.5	144-10,080	13,200	3.5	1/2" NPT	30	6,000/420
JV#-60BB	0.1-20.0	0.5-75.7	144-28,800	3,600	0.95	3/4" NPT	30	6,000/420
JV#-80BB	0.5-60.0	1.9-227	720-86,400	1,600	0.42	1-1/4" SAE Code 62	200	5,000/345
JV#-90BB	1.0-120.0	3.8-454	1440-172,800	800	0.21	1-1/4" SAE Code 62	200	5,000/345

- Complete part # by selecting body material as follows: M=303 Stainless Steel, S=316 Stainless Steel, A= Aluminum. * Figures shown represent resolution when using dual pickup sensor for 12BB to 60BB and x4 sensors for 80BB & 90BB.

Meter Dimensions



Meter Size	Dimensions						Weights (Lbs)		
	A	B	C	D	E	H	JVS	JVM	JVA
JV#-12BB	3.0"	2.9"	0.47"	1.7"	--	2.2"	3.6	3.6	1.8
JV#-20BB	3.3"	3.2"	0.47"	1.7"	--	2.2"	4.9	4.9	2.7
JV#-30BB	3.3"	3.2"	0.51"	1.7"	--	2.7"	6.4	6.4	2.9
JV#-60BB	5.0"	4.9"	0.75"	2.4"	--	4.3"	18.8	18.8	9.1
JV#-80BB	8.4"	8.4"	--	5.5"	3.2"	5.5"	78.0	78.0	31.0
JV#-90BB	8.4"	8.4"	--	5.5"	3.2"	7.0"	97.0	97.0	66.0



3D STEP Models are available upon request of factory.
 Products may be subject to change without notice. Contact factory for the most up-to-date product information.

