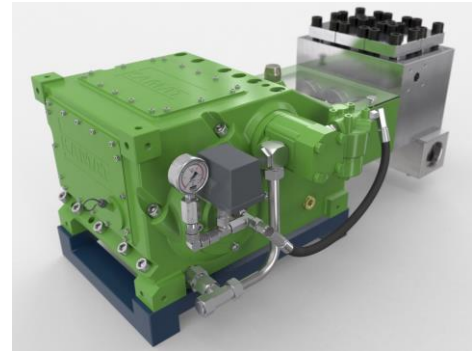
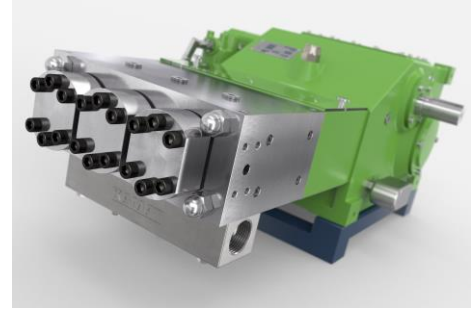


Triplex Plunger Pump K 18000 - 3G

P 27-1

20.05.2015

The high performance K 18000 fulfills a wide range of applications such as hydraulic, seawater, glycol, methanol, oils and industrial cleaning. This model operates in continuous duty service with forced lubrication or intermittent duty without it. Constructed in the classic KAMAT modular component system facilitates simplified adaptation to different operating requirements with component or head exchanges. The rugged design utilizes relatively few component parts, reducing maintenance and improving reliability.



- Flow rate based upon 100% volumetric efficiency and 20°C ambient temperature
- Minimum inlet pressure depends on fluid medium
- Speed range 10-100% depending on rod force
- Gear dynamically balanced
- Gear with force-fed lubrication (> 130 kW with oil cooler)
- Standard gear ratios
 $i = 3,00 - 3,14 - 3,39 - 3,76 - 4,13 - 4,50 - 4,93$
- API 674 or ATEX versions available

n_{nom} max. = 500 1/min		p max. bar @ kW				Head type		
Type	l/min	110 kW	130 kW	160 kW	180 kW	A	M	MC
K 18014 - 3G	24	2400	2890	3500	-----	1		
K 18016 - 3G	32	1840	2210	2680	3010	1		
K 18018 - 3G	40	1460	1740	2120	2360	1		
K 18020 - 3G	49	1190	1420	1715	1910	1		
K 18022 - 3G	60	970	1170	1420	1500	2		
K 18024 - 3G	71	820	980	1190	1325	2		
K 18026 - 3G	84	690	840	1020	1130	2		
K 18028 - 3G	97	600	720	875	975	2		H
K 18030 - 3G	111	525	630	760	850	2		H
K 18032 - 3G	127	460	555	670	750	2		H
K 18036 - 3G	160	365	435	530	590	2	1	H
K 18040 - 3G	198	295	355	430	475		1	1
K 18045 - 3G	250	230	280	340	375		1	1
K 18050 - 3G	309	190	225	275	305		1	1
K 18055 - 3G	374	155	190	230	250		1	1
K 18060 - 3G	445	130	160	190	210		1	1
K 18065 - 3G	522	110	135	160	180			1

API 674 = max. 340 1/min

= Ultra High Pressure UHP

Dimensional Drawing K 18000 - 3G

~ 440 kg P 27-2

01.05.2017

