

New
Mini Tee-Type Filter
with Cleanable
Elements

Norman 4100 and 14100 Series Mini Tee-Type Filter

up to 15,000 psi
Stainless Steel Housing

Pleated Stainless Steel, Sintered
Stainless Steel and Glass Fiber
Elements for Greater Dirt Holding
Capacity

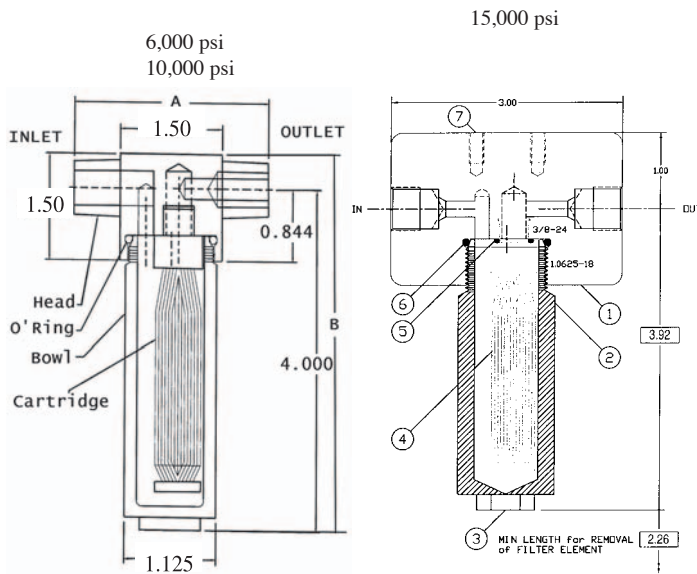
Micron Ranges from .5 to 300
Micron



MJ Systems, Norman Filters Distributor
421 N 10th St • La Porte, TX 77571
Off (281) 842-7600 • Fax (281) 842-7601
www.mjsusa.com • sales@mjsusa.com

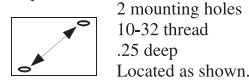
Specifications on reverse side

Dimensions



Dimension	Fitting Size	Model
A = 2.375"	1/8" or 1/4"	B = 3.50" 41-1
3.000"	3/8" or 1/2"	4.74" 41-2
2.564"	1/2" MS33656	

Filter Mounting
Top View



Specifications

Housing Material:

316 Stainless Steel

Element Media:

304 Stainless Steel Mesh: 10, 18, 25, 75, 150 and 300 micron abs.
 316 Stainless Sintered: .5, 1, 3 and 7 micron abs.
 Glass Fiber: 3, 5 and 10 micron abs.

Flow Rate:

41-1 1.5 gpm (w/ 100 SSU oil)
 105 scfm (@ 6,000 psi GN2)
 41-2 2.5 gpm (w/ 100 SSU oil)
 175 scfm (@ 6,000 psi GN2)

Operating Pressure:

6,000 psi 10,000 psi 15,000 psi

Proof Pressure:

9,000 psi 15,000 psi 22,500 psi

Burst Pressure:

24,000 psi 40,000 psi 60,000 psi

Housing Temperature:

1,000°F

Element Temperature Range:

304 Stainless Mesh: -425°F to + 1,000°F
 316 Stainless Sintered: -425°F to + 1,000°F
 Glass Fiber: -70°F to + 300°F

O-Ring Temperature Range:

Buna-N -40°F to + 250°F
 Viton -20°F to + 350°F
 Ethylene Propylene -65°F to + 300°F
 Teflon™ -148°F to + 400°F
 Kalrez™ -40°F to + 600°F

How to Order

Flow		Code	Fitting Size	Code	Fitting Type	Code	Micron & Material	Collapse Rating		O-Ring Material		Bowl Drain	
1	1.5 g.p.m.			C	Compression	.5	.5 Abs. 316 S.S. Sintered	C	3250 (Glass)	L	Buna-N	DR-1	1/8" NPT
2	2.5 g.p.m.	2	1/8"	P	NPT Female	1	1 Abs. 316 S.S. Sintered	F	2000 (316 S.S.)	N	Viton		
		4	1/4"	M	NPT Male	3	3 Abs. 316 S.S. Sintered	V	4500 (304 S.S.)	E	Ethylene Propylene		
		6	3/8"	F	MS33656	7	7 Abs. 316 S.S. Sintered			M	Teflon™ *		
		8	1/2"	S	MS33649*	3F	3 Abs. Glass			K	90 Durometer Nitrile		
		250	1/4" m/p*	*Not available in 1/2"		5F	5 Abs. Glass			H	Kalrez™		
		375	3/8" m/p*	Ferrule and nut kits available upon request		10F	10 Abs. Glass			*10,000 psi max.			
		500	1/2" m/p*			10A	10 Abs. 304 Wire mesh						
		* 15K only				18A	18 Abs. 304 Wire mesh						
						25A	25 Abs. 304 Wire mesh						
						75A	75 Abs. 304 Wire mesh						
						150A	150 Abs. 304 Wire mesh						
						300A	300 Abs. 304 Wire mesh						

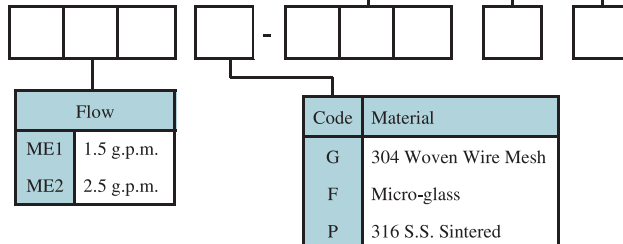
How to order

6,000 psi: 41

10,000 psi: 141

15,000 psi: 341

Replacement Elements:



Norman Filter Company, L.L.C.



MJ Systems, Norman Filters Distributor: 421 N 10th St • La Porte, TX 77571
 Off (281) 842-7600 • Fax (281) 842-7601 www.mjsusa.com • sales@mjsusa.com