

TRG SERIES - STANDARD TURBINE FLOW METER

Ideal turbine flow meter for monitoring solvents and other lower viscosity fluids, such as antifreeze and fuel measurement.



TECHNICAL SPECIFICATIONS

Measuring Accuracy
± 1.0% of reading or better

Repeatability
± 0.1%

Flow Measuring Range
.08 to 200 GPM (gal/min)

Turn Down Ratio
10:1

Maximum Operating Pressure*
Working pressure up to 5,000 psi

Maximum Operating Temperature
Fluid temperature of -150° to 450°F

Standard Calibration Media
Tap water @ 70°F Temperature

End Connections
NPT

* Electronic sensor dependent.

BENEFITS

Rugged & Cost-Effective

The sturdy construction of this turbine flow meter means high performance and longer service life at an affordable price.

Industry Standard

The TRG Series flow meter comes with a standard NPT end connection for universal applications.

Versatile

This meter is capable of measuring flow in line sizes from 1/2" to 2".

Electronic Integration

This meter can provide displayed flow rate, totalization, current or voltage outputs through a variety of compatible electronics.

Simplified Maintenance

The TRG Series was designed with only one moving part for easy cleaning and maintenance.

Explosion Proof (EX) Options Available



MJ Systems, LLC
Authorized AW-Lake Representatives
TX - Off (281) 842-7600
LA - Off (225) 726-7114
www.mjsusa.com • sales@mjsusa.com

MATERIALS OF CONSTRUCTION

Rotor Support	303 Stainless Steel
Body	316L Stainless Steel
Rotor Shaft	Tungsten Carbide
Impeller	420 Stainless Steel

RECOMMENDED SENSORS

Model	Sensor Type	Temp (°F)
MAG-PB	Pulse Sensor - <i>No Amplifier Required</i>	-40 to 185
FIP-4HS	4-20 mA Output Sensor	-40 to 185
Meter Mounted Displays:		
Non EX Meters		
RT-10A	Battery-Powered monitor	0 to 140
RT-30 SD	24 VDC Powered monitor	0 to 140
EX Meters		
HUB-40EX	Hazardous area rated sensor	-40 to 140
RT-30EX	Hazardous area rated local flow rate transmitter	-6 to 140

* For additional sensors available, contact factory. Other outputs available upon request.



TRG SERIES - STANDARD TURBINE FLOW METER

Ideal turbine flow meter for monitoring solvents and other lower viscosity fluids, such as antifreeze and fuel measurement.

METER SPECIFICATIONS

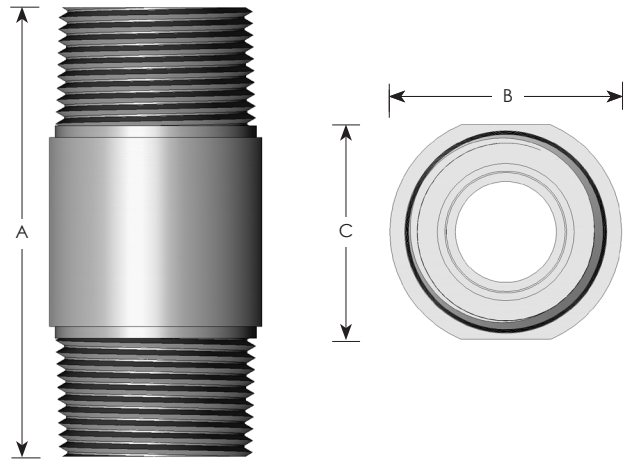
Part Number	Flow Range (gal/min)	K-Factor* (pulses/gal)	Porting	Filtration (micron)	Pressure Rating (psi)	Weight (lbs)
TRG-11.250-5 (EX2) ¹	0.08 to 0.4	125,000	1/2" Male NPT	100	5,000	0.75
TRG-11.300-5 (EX2) ¹	0.13 to 1.06	91,500	1/2" Male NPT	100	5,000	0.75
TRG-11.375-5 (EX2) ¹	0.3 to 3	48,000	1/2" Male NPT	100	5,000	0.75
TRG-11.500-5 (EX2) ¹	0.9 to 9	15,000	1/2" Male NPT	100	5,000	0.75
TRG-11.750-5 (EX2) ¹	1.6 to 16	10,500	1/2" Male NPT	300	5,000	0.75
TRG-11.750 (EX2) ¹	1.6 to 16	10,500	1" Male NPT	300	5,000	1.25
TRG-11.880** (EX2) ¹	3.2 to 32	2,900	1" Male NPT	300	5,000	1.50
TRG-1110 (EX2) ¹	5.3 to 53	800	1-1/2" Male NPT	300	5,000	2.50
TRG-1120L (EX2) ¹	13 to 200	400	2" Male NPT	300	5,000	3.25

*K-Factors given are averaged. A calibration sheet accompanies every meter sold. **This is a direct replacement for the TRG-11.875 and has a doubled K-Factor.
¹EX2 versions available.

METER DIMENSIONS

Part Number	A	B	C
TRG-11.250-5 (EX2) ¹	3.00"	1.35"	1.20"
TRG-11.300-5 (EX2) ¹	3.00"	1.35"	1.20"
TRG-11.375-5 (EX2) ¹	3.00"	1.35"	1.20"
TRG-11.500-5 (EX2) ¹	3.00"	1.35"	1.20"
TRG-11.750-5 (EX2) ¹	3.00"	1.35"	1.20"
TRG-11.750 (EX2) ¹	3.00"	1.55"	1.40"
TRG-11.880 (EX2) ¹	3.00"	1.55"	1.40"
TRG-1110 (EX2) ¹	3.00"	2.15"	1.95"
TRG-1120L (EX2) ¹	4.00"	2.70"	2.55"

¹EX2 versions available.



MJ Systems, LLC
 Authorized AW-Lake Representatives
 TX - Off (281) 842-7600
 LA - Off (225) 726-7114
 www.mjsusa.com • sales@mjsusa.com

Products may be subject to change without notice - Contact factory for the most up-to-date product information.



2440 W. Corporate Preserve Dr. #600, Oak Creek, WI 53154 | www.aw-lake.com

©2016 AW-Lake Company. All rights reserved. Doc ID: TRGD516 REV 4.20