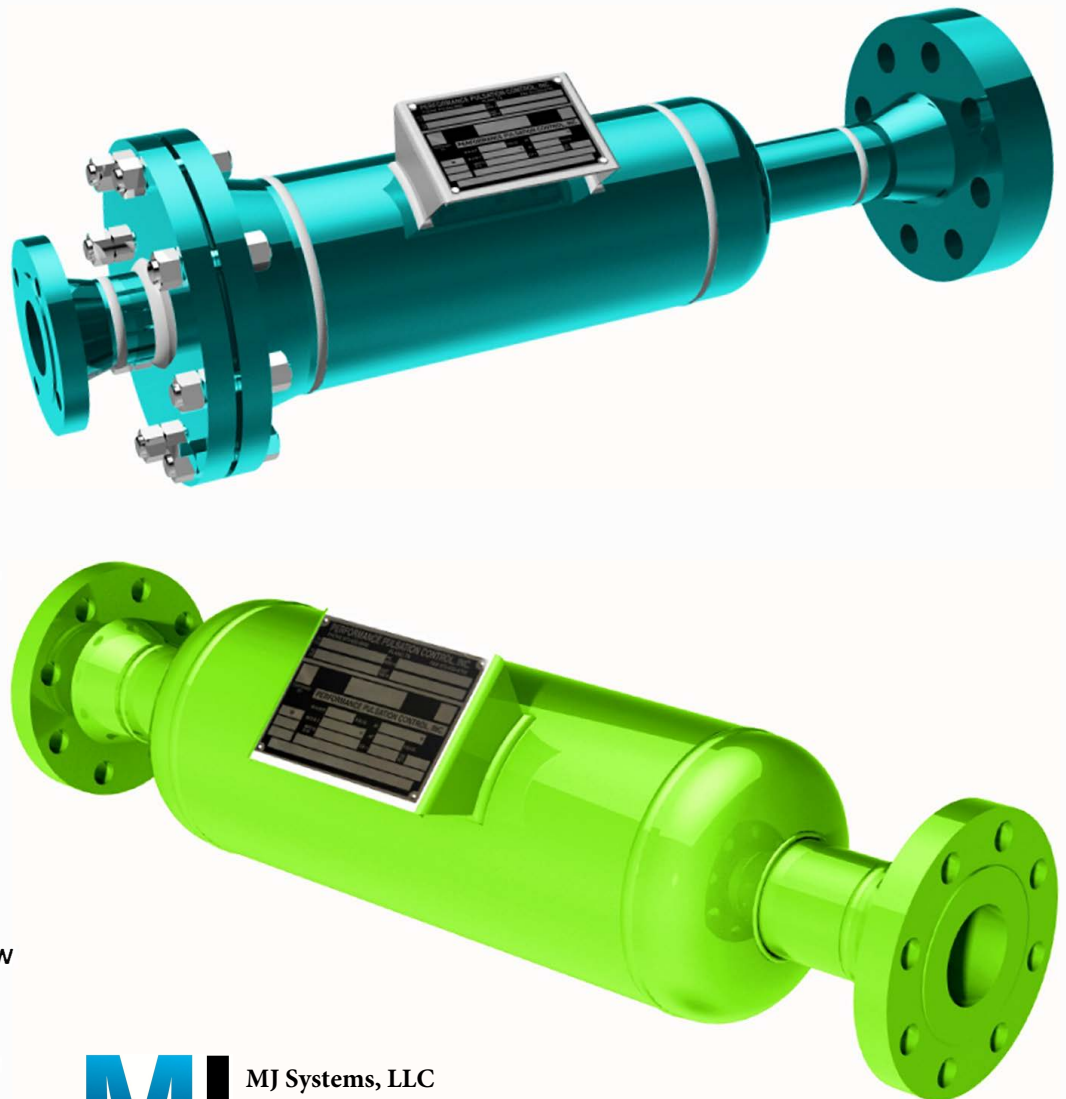


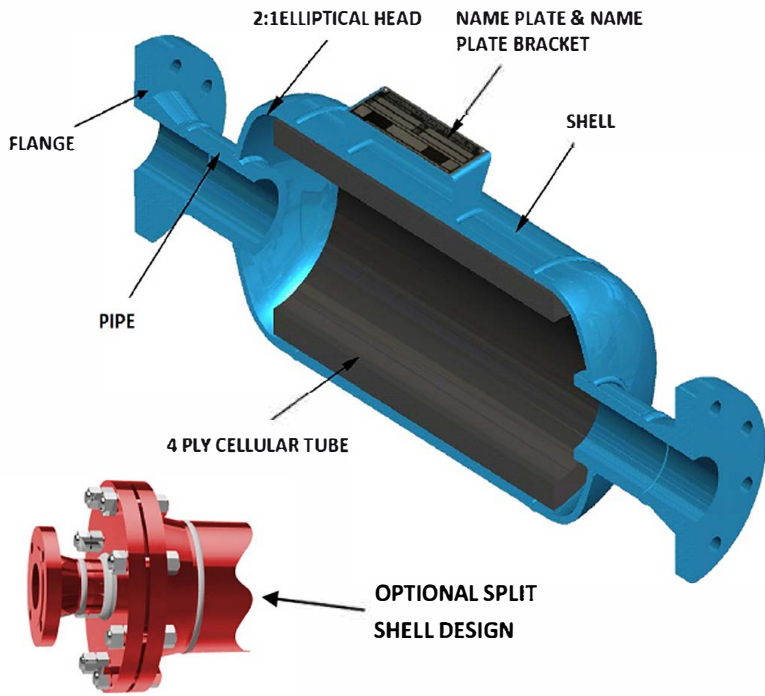


FEATURES & BENEFITS

- ❖ Maintenance Free - No Gas Charging
- ❖ Flow through Design Isolates Pump From System
- ❖ Contained Liquid Volume Virtually eliminates Acceleration Pressure Losses
- ❖ Increases NPSH Available
- ❖ Virtually No Pressure Drop
- ❖ Operates Across Broad Pressure Ranges
- ❖ Split Shell Design Allows for Cellular Tube Inspection and/or Replacement
- ❖ Nozzle Arrangements to Accommodate Installation Requirements
- ❖ Inlet/Outlet Nozzles Can Be Different Elbows Can Be Added
- ❖ Can Accommodate Harsh Flow Streams
- ❖ Corrosion Resistant Materials Available
- ❖ Reduced "Total System" Cost



MJ Systems, LLC
Authorized PPC Distributors
TX - Off (281) 842-7600
LA - Off (225) 726-7114
www.mjsusa.com • sales@mjsusa.com



CELLULAR TUBE OPTIONS

BUNA-N (NITRILE) STANDARD

BUTYL

EPR

HYDRIN

OTHER CONNECTIONS



MODELS	Standard Pressure Ranges up to 275 psi
SC-03	Designs Available at High Pressures - Up to 3600 psi and Above
SC-05	
SC-10	
SC-15	
SC-25	
SC-40	<i>PPC also offers custom engineered solutions & sizes for special customer requirements</i>
SC-80	

