

RT-50 BATTERY-POWERED FLOW RATE TRANSMITTER

Ideal for any industry or flow measurement application where a local rate and total display is required and in locations where equipment is exposed to the elements.



FEATURES

- Battery powered
- Local mount
- Display updates every 25 mS
- Resettable Total and Grand Total
- Display backlight
- Bluetooth setup and monitoring
- Quick menu navigation
- Flow filtering
- Real time clock
- Contract time
- 10-point Linearization

APPLICATIONS

The RT-50 flow display from AW-Lake features an easy-to-read backlit LCD display. With a list style menu and quick access buttons, programming is quick and easy. Flow sensor is rotatable for mounting in multiple directions. The unit's battery can provide power for over 3 years of continuous 24-hour use and offers power saving mode when not being used. The battery pack is field replaceable with no tools required. The RT-50 is compatible with most AW-Lake flow meters, as well as off-branded flow meters.

BENEFITS

Up and Running in Minutes

Put in a K-factor from the calibration sheet, select your units of measure, and observe accurate flow readings.

Bluetooth Connectivity

Use your smart phone to monitor real-time flow valves from a distance or to program and change settings.

Extended Battery Life

Battery last over 3 years with continuous use and saves power when not in use. It is also easily changeable in the field with no tools needed.

Multiple Engineering Units

The RT-50 has 8 different selectable engineering units with no conversions to k-factors.

TECHNICAL SPECIFICATIONS

Flow Meter Compatibility

JV series positive displacement gear meters and TRG, TR and TW turbine meters.

Power

3.6V "C" cell battery, field replaceable; 3 year continuous use estimated average life, depending on options enabled.

Backup Battery

Lithium coin battery 3V. (CR2032) Stores user data and time when battery is disconnected.

Response Time

20 millisecond response, frequency dependent.

Temperature Rating

-4 to 140°F (-20 to 60°C) ambient, 175°F (80°C) maximum fluid temperature.

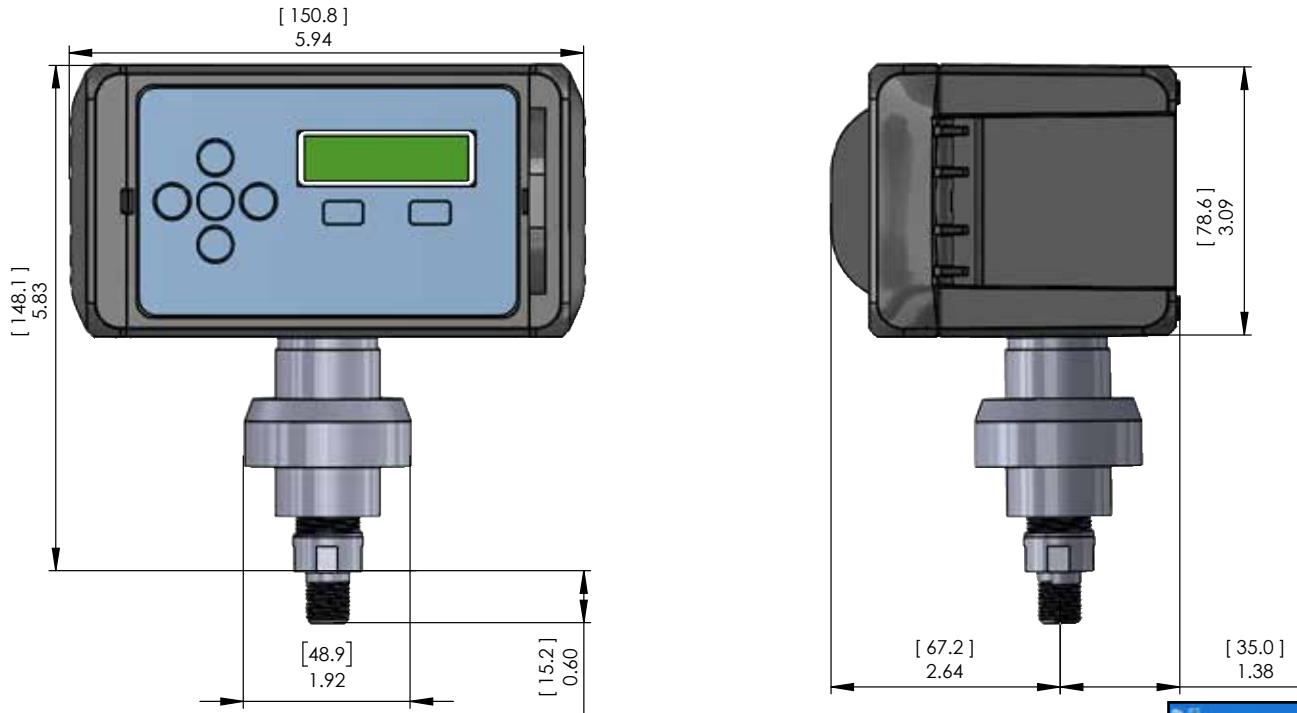
Input Options

Inductive and Carrier frequency sensors

RT-50 BATTERY-POWERED FLOW RATE TRANSMITTER

Ideal for any industry or flow measurement application where a local rate and total display is required and in locations where equipment is exposed to the elements.

TRANSMITTER DIMENSIONS



PART NUMBER GUIDE

RT-50-B- [] [] []

Series

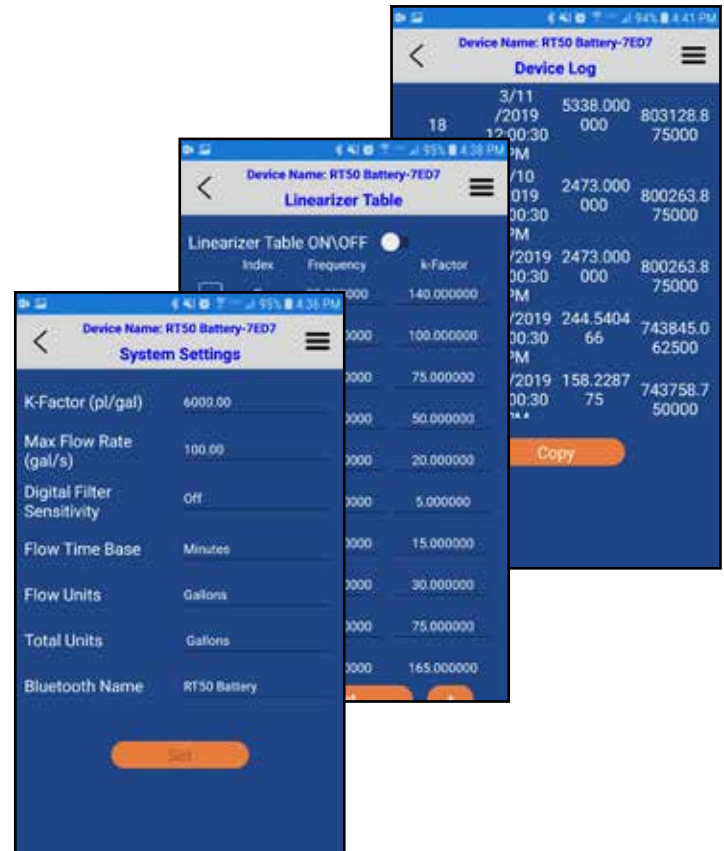
- 1 = TRG turbine and gear meters (-60 & smaller)
- 2 = JV-80KL & JV-90KL gear meters
- 3 = TW & TR turbine meters
- 4 = High temperature

Sensor Type

- C = Carrier frequency (SS meters, TRG turbines)
- M = Inductive (TR & TW turbine meters)
- N = Inductive (Aluminum meters)

Sensor Mounting Thread

- 0 = Special mounting
- 3 = 1/2-20 UNF (TRG turbines)
- 5 = M14 (gear meters)
- 7 = 1/2" TW collar
- 8 = 3/4" TW collar
- 9 = 1" TW collar



Products may be subject to change without notice - Contact factory for the most up-to-date product information.