

RT-10 BATTERY-POWERED LOCAL FLOW RATE TRANSMITTER

Ideal for any industry or flow measurement application where a local rate and total display is required and in locations where equipment is exposed to the elements.



FEATURES

- Gate time function
- Real-time clock display
- Sleep mode conserves battery power
- 4-20mA loop power output
- "Sleep" and "Lo Battery" indicators
- Easy programming using Up, Down and Enter functions
- Fiber Optic input and output options

APPLICATIONS

The RT-10 from AW Gear Meters includes a large, six-digit LCD display that continuously shows either the flow rate or total. Adjust rate, total, reset, sleep mode, or time using buttons when the protective blue cover is open, or with a magnet wand when the cover is closed. The unit's battery lasts as long as four years and is replaceable on-site. This monitor is compatible with most meters available from AW Gear Meters, including the JV and HPM series positive displacement flow meters.

Note: Unit is not compatible with JVHS, JV-01, JV-10, or JV-12 flow meters.

TECHNICAL SPECIFICATIONS

Flow Meter Compatibility

JV and HPM series positive displacement gear meters

Power

Internal 3.6V "C" cell battery, field replaceable; 4 year battery power estimated average life, depending on options enabled.

Sensor/Monitor Frequency Range

3,000 Hz max.

Temperature Rating

-20 to 60°C (-4 to 140°F) ambient, 80°C (175°F) maximum fluid temperature

Output Options

4-20 mA, loop powered

Input Options

Standard sensor or fiber optic

Rating (Enclosure only)

NEMA 4X

BENEFITS

Options for Remote Indication

The RT-10 is available in a variety of models (see back).

Extended Battery Life

To preserve the lithium battery, the device reverts to sleep mode after a user-specified period of time.

Up & Running in Minutes

Simply attach your sensor to the RT-10, install sensor & flow monitor onto meter, power-up and input calibrations.

Customizable Engineering Units

The unit displays Total and Rate values in user-specified engineering units, such as cc's, ounces or gallons.



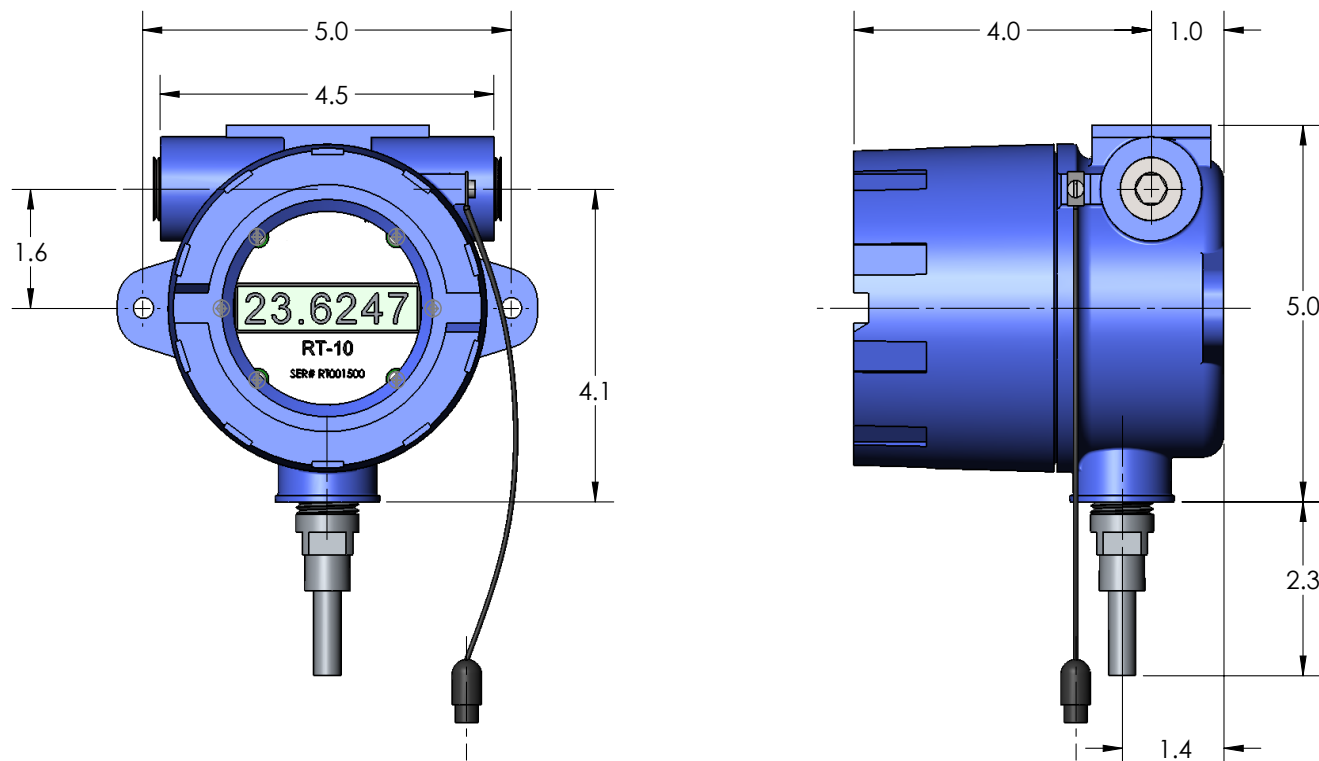
MJ Systems, LLC
Authorized AW-Lake Representatives
TX - Off (281) 842-7600
LA - Off (225) 726-7114
www.mjsusa.com • sales@mjsusa.com



RT-10 BATTERY-POWERED LOCAL FLOW RATE TRANSMITTER

Ideal for any industry or flow measurement application where a local rate and total display is required and in locations where equipment is exposed to the elements.

TRANSMITTER DIMENSIONS



TRANSMITTER OPTIONS

Part #	Standard Nose	Fiber Optic Input*	Hub Nose	TR Nose	Battery Power	4-20mA Loop	Fiber Optic Output**
RT-10A	X				X		
RT-10C	X				X	X	
RT-10H	X				X		X
RT-10D		X			X		
RT-10F		X			X	X	
RT-10L		X			X		X
RT-10J			X		X		
RT-10N			X		X	X	
RT-10P			X		X		X
RT-10R				X	X		
RT-10T				X	X	X	
RT-10U				X	X		X

* All fiber optic input RT-10's require the FOP pickup.

** All fiber optic output RT-10's require the OPTV converter.

Products may be subject to change without notice - Contact factory for the most up-to-date product information.

MJ SYSTEMS MJ Systems, LLC
 Authorized AW-Lake Representatives
 TX - Off (281) 842-7600
 LA - Off (225) 726-7114
 www.mjsusa.com • sales@mjsusa.com

