

HAMPRO 140 Process Plunger Pump

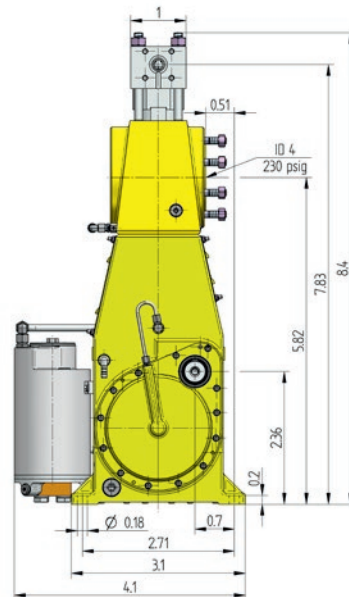
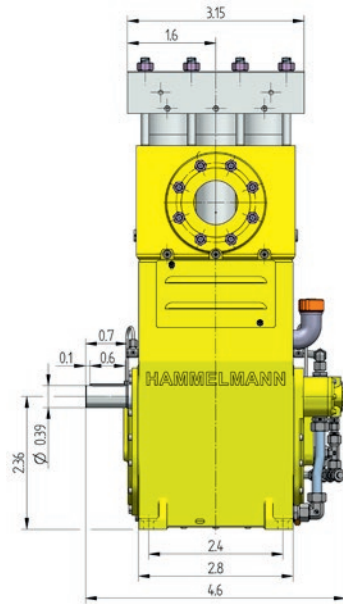
HAMMELMANN®

Design criteria

Hammelmann process pumps are built to operate at the continuous maximum duty stated in the performance parameters. Just compare the crankshaft speed, average plunger speed, plunger diameter and power rating.

Process Plunger Pump

Weight: approx. 838 lbs



Dimensions: inches



MJ Systems, Hammelmann Representatives

502 N 8th St • La Porte, TX 77571

Off (281) 842-7600 • Fax (281) 842-7601

www.mjsusa.com • sales@mjsusa.com



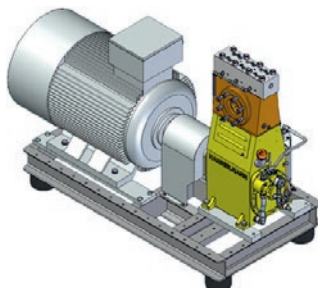
Stationary unit with electric motor

Length: 77 inch

Width: 34 inch

Height: 52 inch

Weight: approx. 3,527 lbs at 200 HP



Main dimensions without accessories such as suction line, pressure regulator etc. All shown as right side drive. Detailed dimensional drawings and weights available on request.

Features

- Power ratings up to 200 HP
- Vertical 3 cylinder design

Zero Emission



In the Zero Emission design the pumped fluid is hermetically sealed within the pump preventing leakage to atmosphere during operation.



The bellow system is gastight.

Quality and reliability

- Crank section calculation by 'Finite element method' ensures long working life under continuous load
- Stainless steel pump head free of alternating stress
- Integral speed reduction gear
- Pressurised oil lubrication system with oil cooler/filter
- Bellows form hermetic seal between the suction chamber and crank section
- Large selection of materials available for different fluids

Technical data, series HAMPRO 140

Performance parameter (Standard design)

| HAM PRO | Q** [GPM] | Required power rating [HP] | | | D [mm] | r.p.m. | |
|---------|-----------|----------------------------|-------|-------|--------|-----------|------|
| | | 60 | 125 | 200 | | n1 | n2 |
| | | Operating pressure [psig] | | | | | |
| 144 | 3.43 | 24077 | 47863 | | 17,5 | 1500 | *390 |
| | 3.96 | 21031 | 42062 | 52214 | | 1417/1694 | 440 |
| | 5.81 | 16680 | 33504 | 51489 | | 1800 | 560 |
| | 4.76 | 18420 | 36840 | | 20 | 1500 | *390 |
| | 5.28 | 15954 | 31909 | 40611 | | 1417/1694 | 440 |
| | 7.13 | 12764 | 25672 | 40611 | | 1800 | 560 |

| | | | | | | | |
|-----|------|-------|-------|-------|----|-----------|------|
| 143 | 7.9 | 11748 | 23496 | | 25 | 1500 | *390 |
| | 8.5 | 10298 | 20741 | 25382 | | 1417/1694 | 440 |
| | 11.1 | 8267 | 16390 | 26107 | | 1800 | 560 |
| | 9.8 | 9283 | 18565 | | 28 | 1500 | *390 |
| | 10.6 | 8267 | 16535 | 20596 | | 1417/1694 | 440 |
| | 14.0 | 6527 | 12909 | 20741 | | 1800 | 560 |

| | | | | | | | |
|-----|------|------|-------|-------|----|-----------|------|
| 142 | 11.4 | 8122 | 16390 | | 30 | 1500 | *390 |
| | 12.4 | 7107 | 14359 | 17985 | | 1417/1694 | 440 |
| | 16.1 | 5657 | 11458 | 17985 | | 1800 | 560 |
| | 12.9 | 6962 | 14069 | | 32 | 1500 | *390 |
| | 14.0 | 6237 | 12618 | 15809 | | 1417/1694 | 440 |
| | 18.5 | 4931 | 9863 | 15809 | | 1800 | 560 |
| | 15.6 | 5947 | 12038 | | 35 | 1500 | *390 |
| | 17.2 | 5221 | 10588 | 13199 | | 1417/1694 | 440 |
| | 22.2 | 4206 | 8412 | 13199 | | 1800 | 560 |
| | 20.6 | 4641 | 9138 | | 40 | 1500 | *390 |
| | 22.7 | 4061 | 8122 | 10008 | | 1417/1694 | 440 |
| | 29.3 | 3191 | 6382 | 9863 | | 1800 | 560 |
| | 26 | 3626 | 7252 | | 45 | 1500 | *390 |
| | 29 | 3191 | 6382 | 7977 | | 1417/1694 | 440 |
| | 38 | 2466 | 5076 | 7687 | | 1800 | 560 |
| | 33 | 2901 | 5947 | | 50 | 1500 | *390 |
| | 36 | 2466 | 5076 | 6382 | | 1417/1694 | 440 |
| | 47 | 2031 | 4061 | 6237 | | 1800 | 560 |
| | 40 | 2466 | 4931 | | 55 | 1500 | *390 |
| | 44 | 2031 | 4206 | 5366 | | 1417/1694 | 440 |
| | 57 | 1740 | 3336 | 5076 | | 1800 | 560 |
| | 46 | 2031 | 4061 | | 60 | 1500 | *390 |
| | 52 | 1886 | 3481 | 4496 | | 1417/1694 | 440 |
| | 67 | 1450 | 2901 | 4351 | | 1800 | 560 |
| | 55 | 1740 | 3481 | | 65 | 1500 | *390 |
| | 61 | 1450 | 3046 | 3771 | | 1417/1694 | 440 |
| | 78 | 1160 | 2321 | 3626 | | 1800 | 560 |
| | 63 | 1450 | 3046 | | 70 | 1500 | *390 |
| | 71 | 1305 | 2611 | 3191 | | 1417/1694 | 440 |
| | 91 | 1015 | 2031 | 3191 | | 1800 | 560 |

Data

- Rod force: 19,783 lbf
- Stroke: 2.2 inch
- Mean piston speed at n2
390 r.p.m. = 2.6 ft/sec
467 r.p.m. = 2.8 ft/sec
560 r.p.m. = 3.4 ft/sec

Standards

- Machine directive 2006/42/EG
- ATEX 94/9/EG
- API 674 (with deviations)
- TA-Luft
- NORSOK M501
- NORSOK M650
- NACE MR0175

Certificates

- DIN EN ISO 9001
- DIN EN ISO 14001
- DIN EN ISO 50001
- BS OHSAS 18001
- ASME-U
- Achilles
- EAC



Hammelmann plunger pumps convert 93 to 98 % of the shaft power to hydraulic energy.

** Data refer to the medium water (compressibility considered)
* Speed limit for continuous service according to API 674 – 6.3.1

D = Piston/Plunger diameter
n1 = Motor/Engine r.p.m.
n2 = Crankshaft

Hammelmann Corporation
436 Southpointe Drive
Miamisburg, OH 45342

www.hammelmann.us
mail@hammelmann.com



Member of
INTERPUMP GROUP

HAMMELMANN®